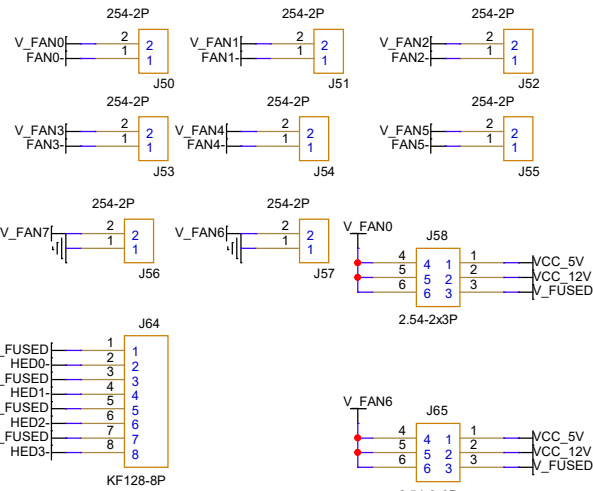
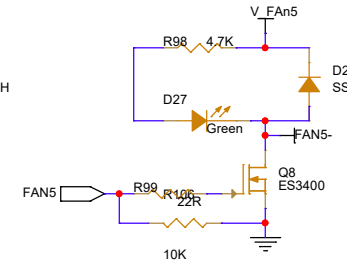
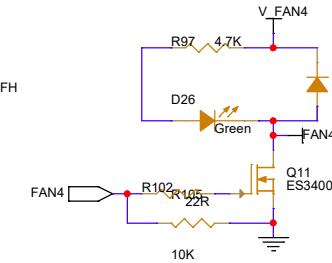
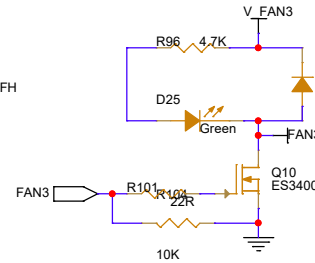
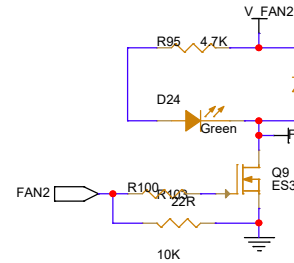
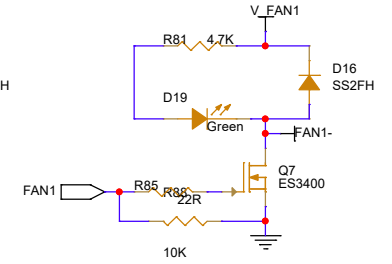
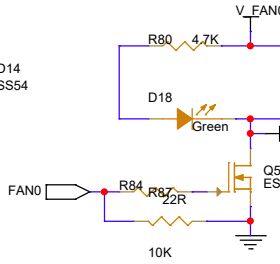
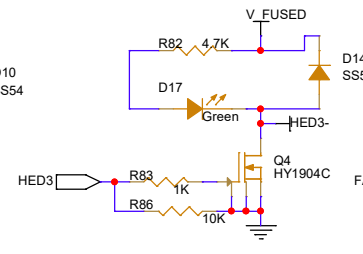
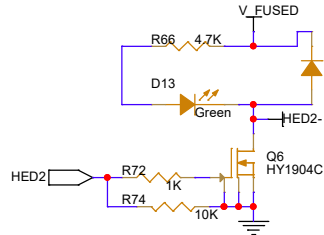
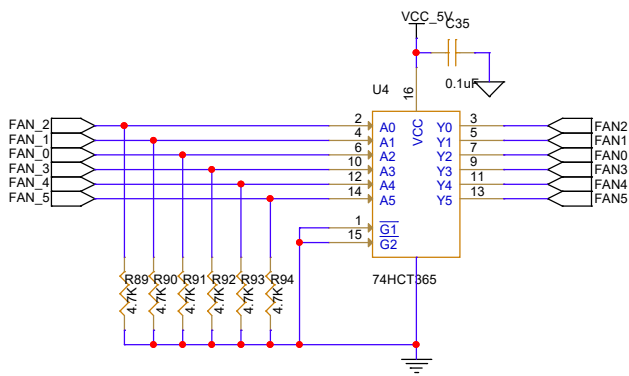
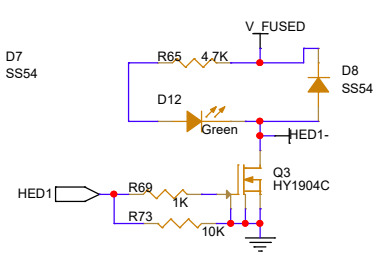
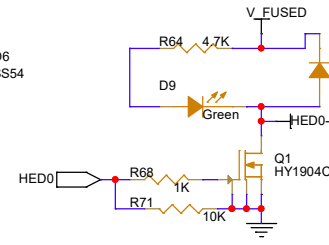
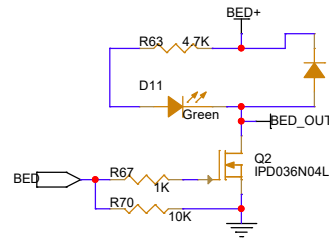
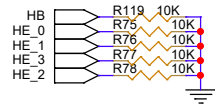
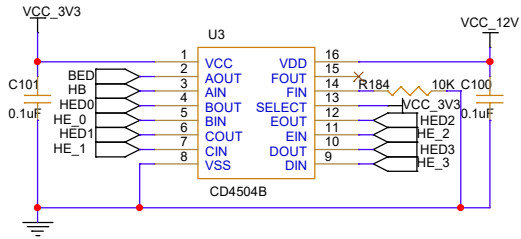
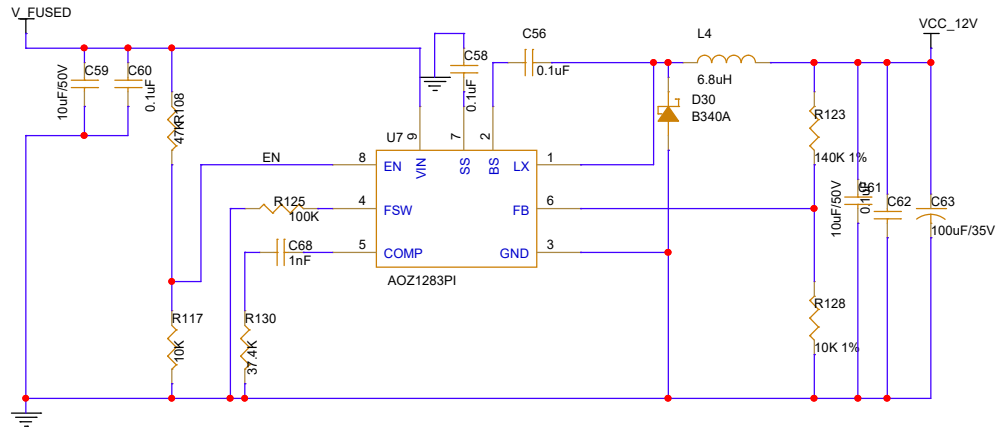
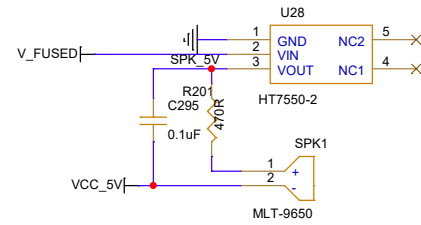
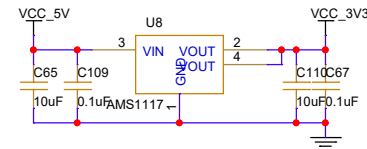
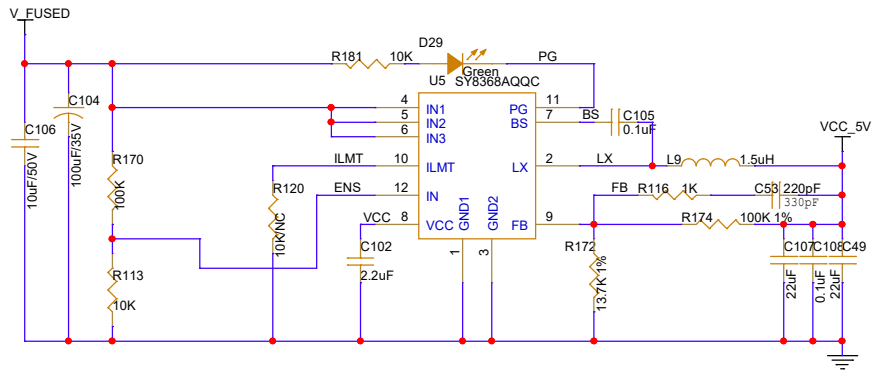
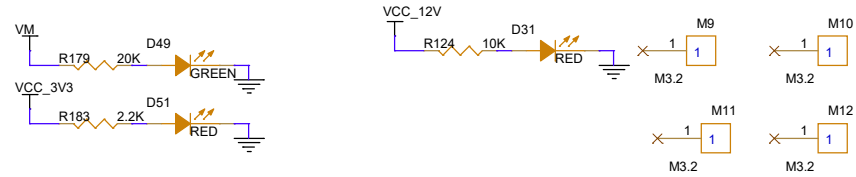
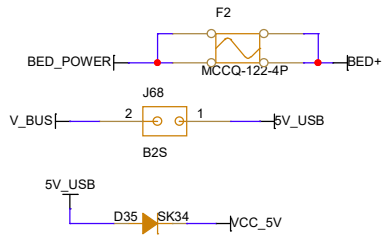
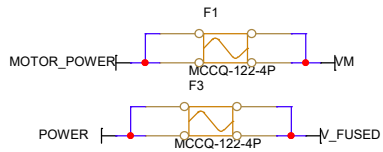
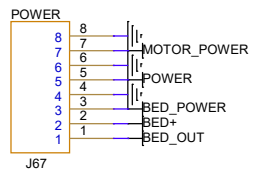


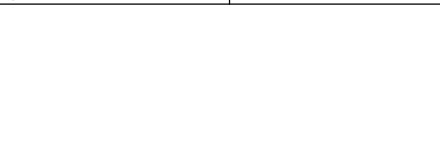
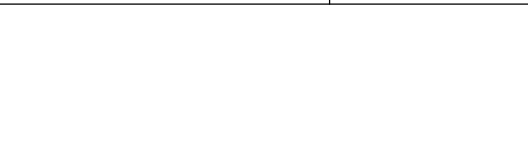
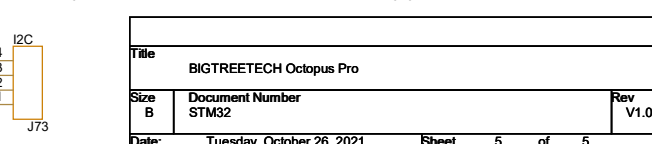
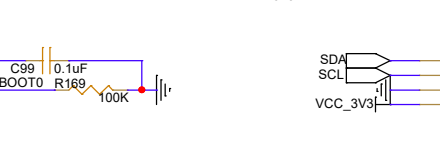
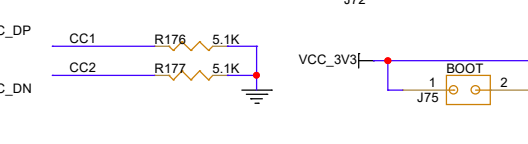
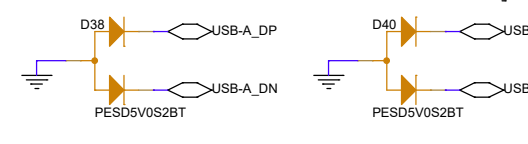
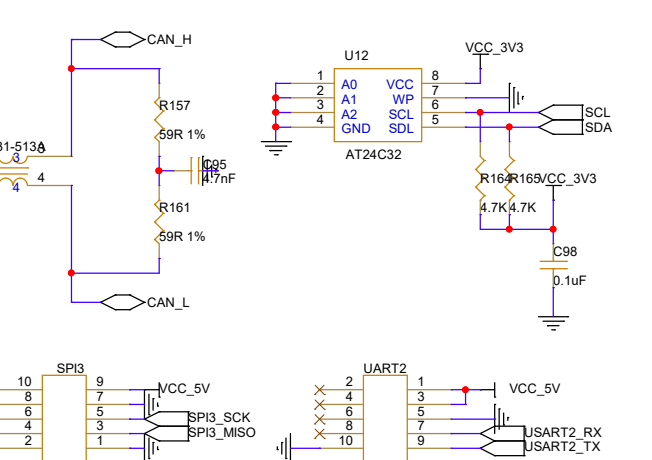
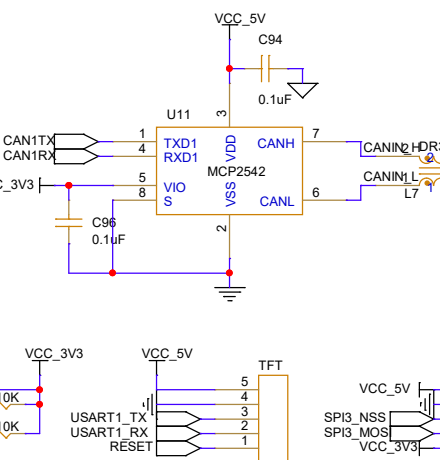
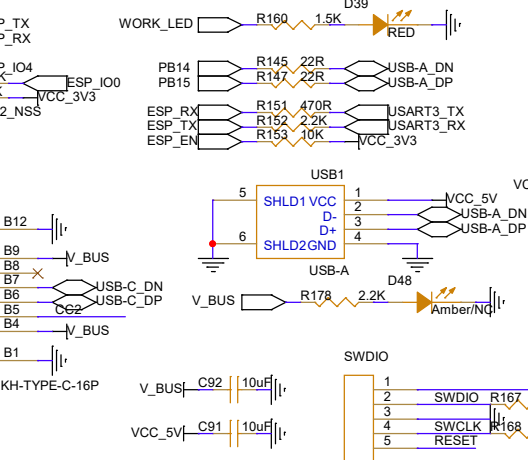
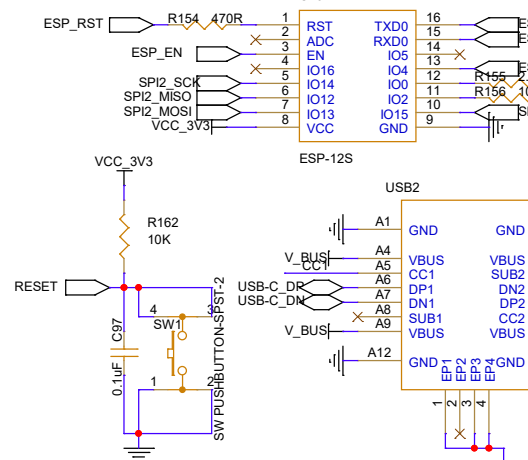
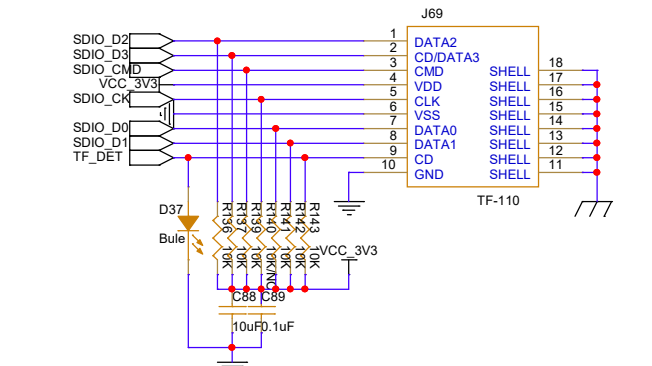
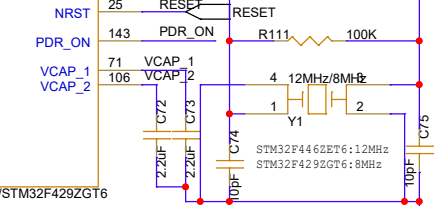
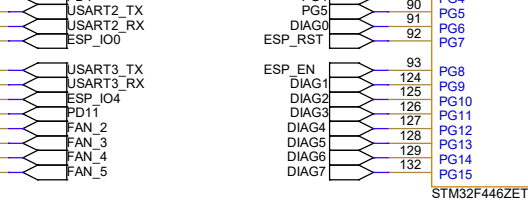
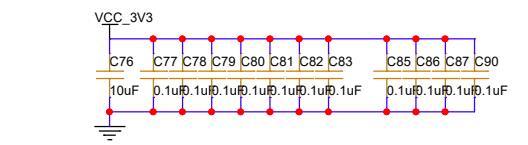
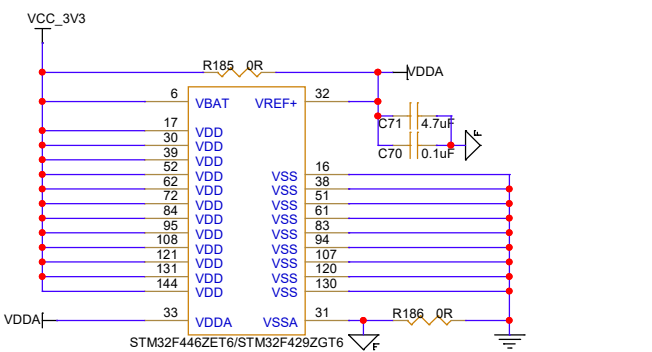
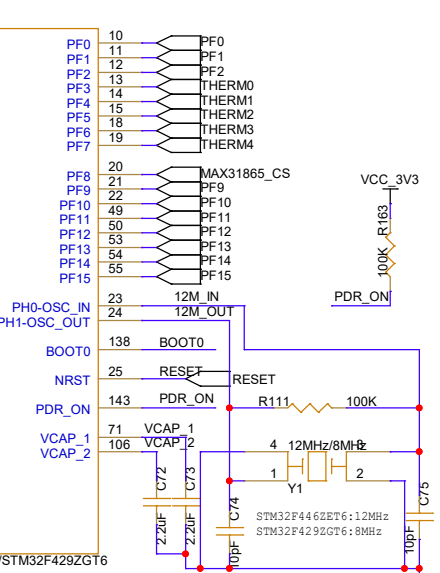
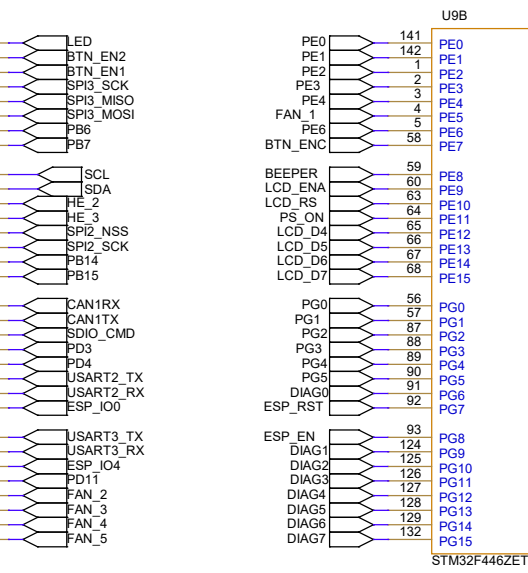
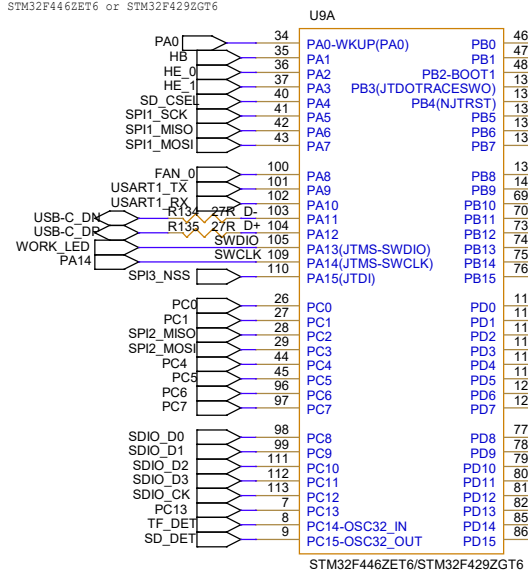
| | | |
|-------------------------|---------------------------|--------------|
| Title | | |
| BIGTREETECH Octopus Pro | | |
| Size | Document Number | Rev |
| B | Interface | V1.0 |
| Date: | Tuesday, October 26, 2021 | Sheet 2 of 5 |



| | | |
|-------------------------|---------------------------|--------------|
| Title | | |
| BIGTREETECH Octopus Pro | | |
| Size | Document Number | Rev |
| B | MOSFET_Output | V1.0 |
| Date: | Tuesday, October 26, 2021 | Sheet 3 of 5 |



| | | |
|-------------------------|---------------------------|--------------|
| Title | | |
| BIGTREETECH Octopus Pro | | |
| Size | Document Number | Rev |
| B | Power | V1.0 |
| Date: | Tuesday, October 26, 2021 | Sheet 4 of 5 |



| | | |
|--------------------------|---------------------------|--------------|
| Title | | |
| BIGTREEEtech Octopus Pro | | |
| Size | Document Number | Rev |
| B | STM32 | V1.0 |
| Date: | Tuesday, October 26, 2021 | Sheet 5 of 5 |